

## **E** **Curtain Systems**

### 2.1 CUE-TRACK Continuous Chain System



## 2.1 CUE-TRACK Continuous Chain System

<p><b>Features</b></p>	<p>CUE-TRACK is a continuous chain track system ensuring smooth and accurate movement and positioning. Available as variable or fixed speed system.</p> <p>Compact size: horizontal, vertical and angular mounting options.</p> <p>Compact stacking area via the use of several parallel track sections side by side.</p> <p>Simple assembly / short installation time.</p> <p>Adjustable mounting positions possible.</p> <p>180° turns within 40 mm radius.</p>
<p><b>Applications</b></p>	<p>An extremely reliable, low maintenance system that offers continuous operation for a wide variety of applications such as main curtains with minimal stacking area, blackout systems, backdrops and room and space dividers.</p>
<p><b>Custom Manufacturing</b></p>	<p>We manufacture custom CUE-TRACK systems for use with curtains and draperies made from our large selection of curtain fabrics.</p>
<p><b>Safety Features</b></p>	<p>Chain moves in a plastic guide channel (picture 1).</p>
<p><b>Curtain Attachment</b></p>	<p>Curtain attachment detail (picture 2).</p>



<p><b>Pricing on Request</b></p>	<p>All CUE-TRACK systems are custom manufactured to meet the demands of the project.</p>
<p><b>Your Ideas and Our Service</b></p>	<p>To quote a custom CUE TRACK system, the following information and details are necessary:</p> <ul style="list-style-type: none"> <li>• Dimensioned technical drawing of the onsite situation and the track location.</li> <li>• Drapery dimensions and weight.</li> <li>• Curtain speed.</li> <li>• Number and distance between hang points.</li> <li>• Control unit specifications.</li> </ul>

## 2.1 CUE-TRACK Continuous Chain System

### Technical Data

#### Weight:

- Single track: 5,1 kg/m
- Double track: 8,8 kg/m

Power consumption up to: 1,5 kW.

#### Motor options:

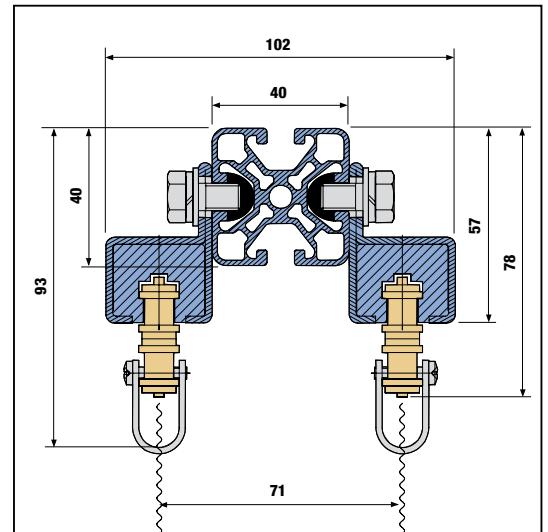
- 24 VDC
- 230 VAC
- 3 x 230 / 400 VAC
- Other voltages available

Load capacity max. 15 kg/m.

Distance between hang points: max. 2,0 m.

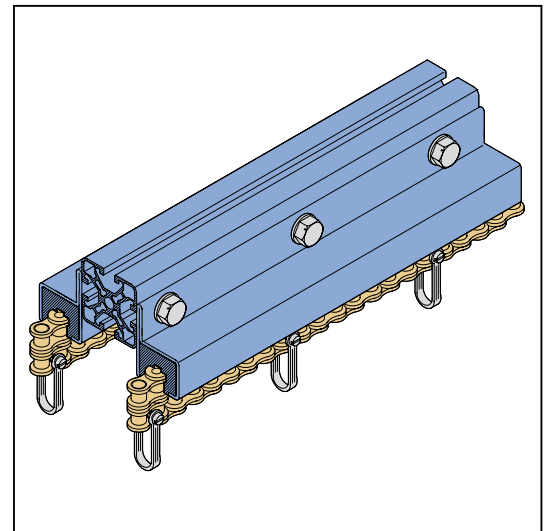
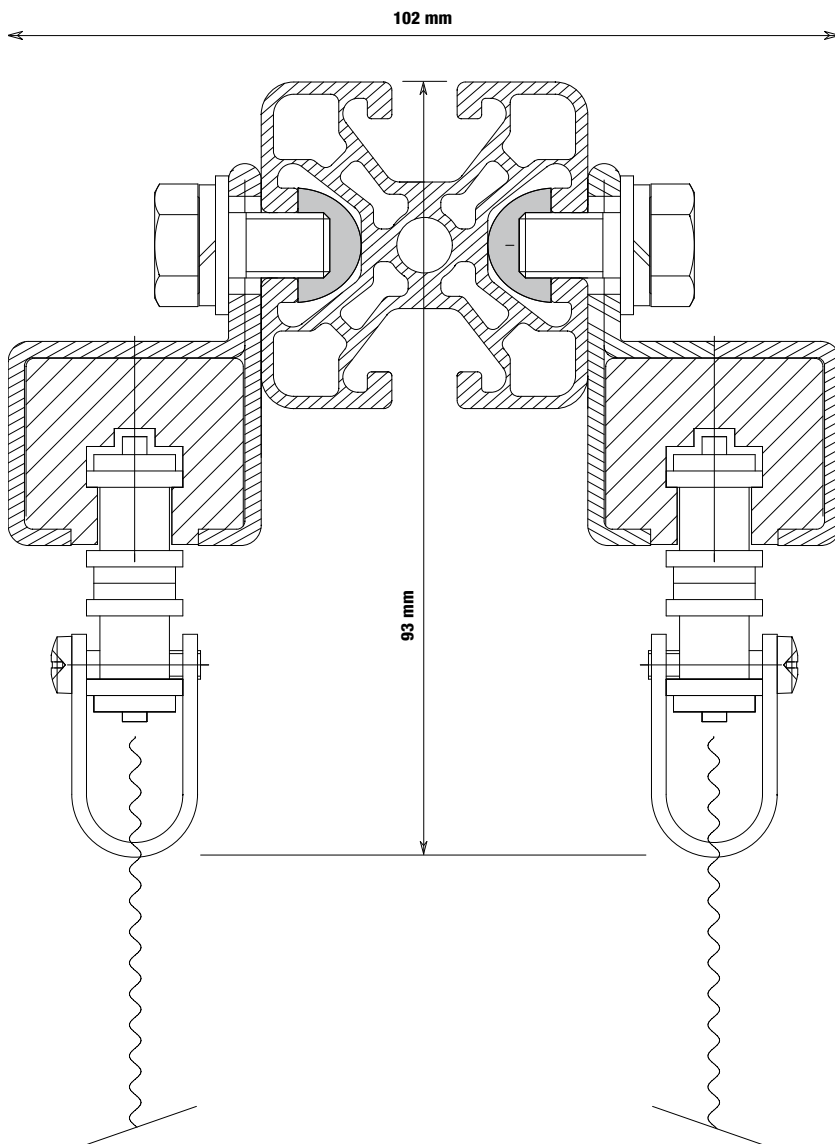
Distance between hang points in duplex chain: variable.

Chain speed: max. 0,6 m/s.



End View

Track scale 1:1



3-D View

Gerriets GmbH  
 Im Kirchenhürstle 5-7  
 D-79224 Umkirch  
 ☎ +49 7665 960-0  
 ☎ +49 7665 960-125  
 info@gerriets.com

Gerriets S. A. R. L.  
 Rue du Pourquoi Pas  
 F-68600 Volgelsheim  
 ☎ +33 3 89 22 70 22  
 ☎ +33 3 89 22 70 50  
 gerriets@gerriets.com

Gerriets International Inc.  
 130 Winterwood Avenue  
 Ewing NJ 08638, USA  
 ☎ +1 609 758-9121  
 ☎ +1 609 758-9596  
 mail@gi-info.com

Gerriets Great Britain Ltd.  
 18 Verney Road  
 London SE16 3DH, UK  
 ☎ +44 20 7639 7704  
 ☎ +44 20 7732 5760  
 general@gerriets.co.uk

Gerriets Handel GmbH  
 Gorskistraße 8  
 A-1230 Wien  
 ☎ +43 1 6000 600-0  
 ☎ +43 1 6032 585  
 verkauf@gerriets.at

Gerriets España S. L.  
 Pol. Ind. Arroyo Buzanca  
 Avda. de Las Moreras  
 Sector S-19 B, Naves 1-2-3  
 E-28350 Ciempozuelos, Madrid  
 ☎ +34 91 134 5022  
 ☎ +34 91 134 5084  
 gerriets.spain@gmail.com

Gerriets Italia  
 Risam for show  
 Viale Spagna 150 / B  
 I-20093 Cologno Monzese (MI)  
 ☎ +39 02 2532 113  
 ☎ +39 02 2532 130  
 info@risamforshow.com

Gerriets Belgique  
 Distribué par :  
 Gerriets S. A. R. L.  
 Rue du Pourquoi Pas  
 F-68600 Volgelsheim  
 ☎ +33 3 89 22 70 22  
 ☎ +33 3 89 22 70 50  
 gerriets@gerriets.com

Gerriets Nederland  
 Anthony Fokkerweg 3  
 NL-1059 CM Amsterdam  
 ☎ +31 20-40 82 553  
 ☎ +31 20-40 82 662  
 info@gerriets.nl

Gerriets Greece  
 info@gerriets.gr  
 www.gerriets.gr

Gerriets Turkey  
 Benart Ses Isik-ASC Is Merkezi  
 Mahmut Sevket Pasa Mahallesi  
 Piyale Pasa Bulvari  
 Baran Sk No: 4 Kat: 3 Zemin Kat  
 TR-34384 Okmeydani-Sisli-Istanbul  
 ☎ +90 212 254 33 43  
 ☎ +90 212 254 33 53  
 benart@benart.net

Gerriets Korea  
 4F 449-4 Seongnae-dong  
 Gangdong-gu, Seoul  
 Korea 134-030  
 ☎ +82 2 477 7713  
 ☎ +82 2 477 1490  
 info@gerriets.co.kr

www.gerriets.com

