

E **Track Systems**

1.05 ASS



1.05 ASS

Light Duty Curtain Track for Permanent Installations

ASS: a track for lightweight curtains up to 4 m high.

For permanent installation only.

The system is **not** suitable for motor operation.

Curtain Track Options

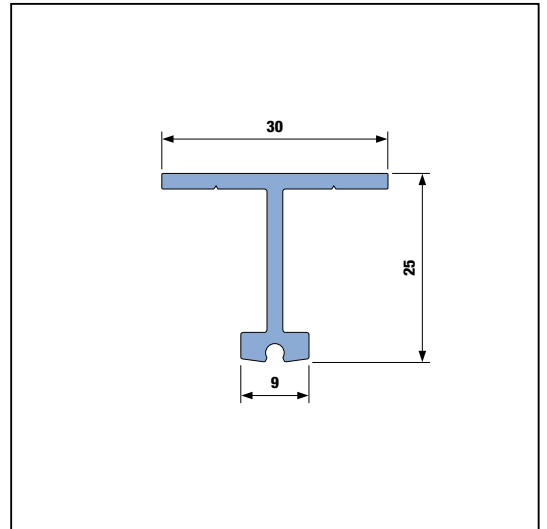
- Walk-along track:
no cable-pull operation.
- Side cord operation:
for straight track sections up to 12 m long. Compact size with minimal space requirements.

Stacking Space Calculation

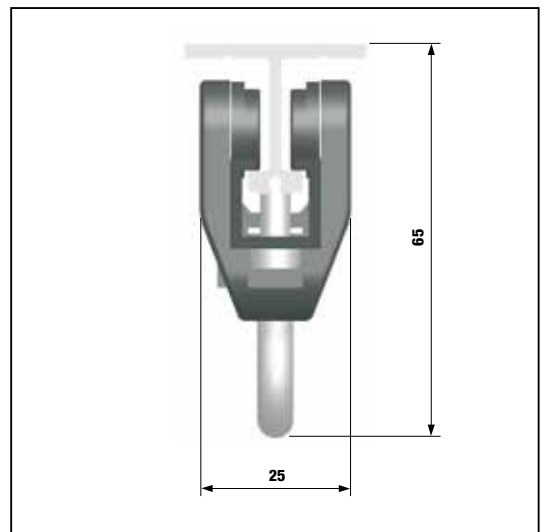
For each side of curtain, multiply:
 Number of runners
 x length of each runner (approx. 5 – 7 runners per meter)
 + length of master runner
 + length of head pulleys and/or return pulleys
 + length of end stop



ASS



Track Section 1:1



Track Section with Runner

1 Track Systems

1.05 ASS

Walk-Along Track

Walk-along track system without motor operation. Manually opening and closing.

The basic system to open and close curtains or to move scenery along a track.

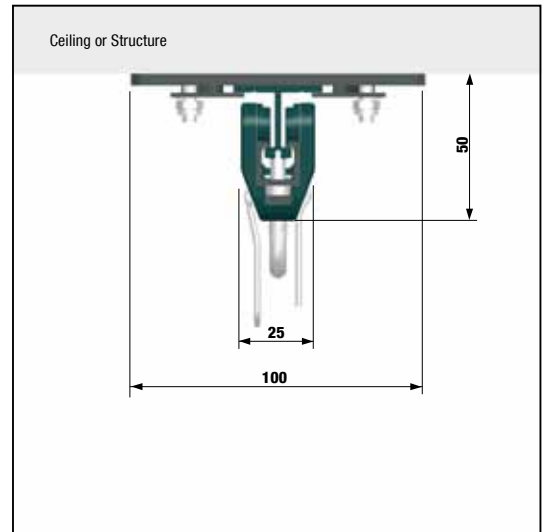
Mounting Considerations

For design and installation, please note height measurements.

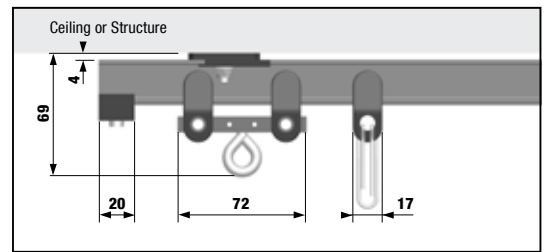
Please calculate length of each runner and carrier for stacking space.

List of Parts for Sample System Below

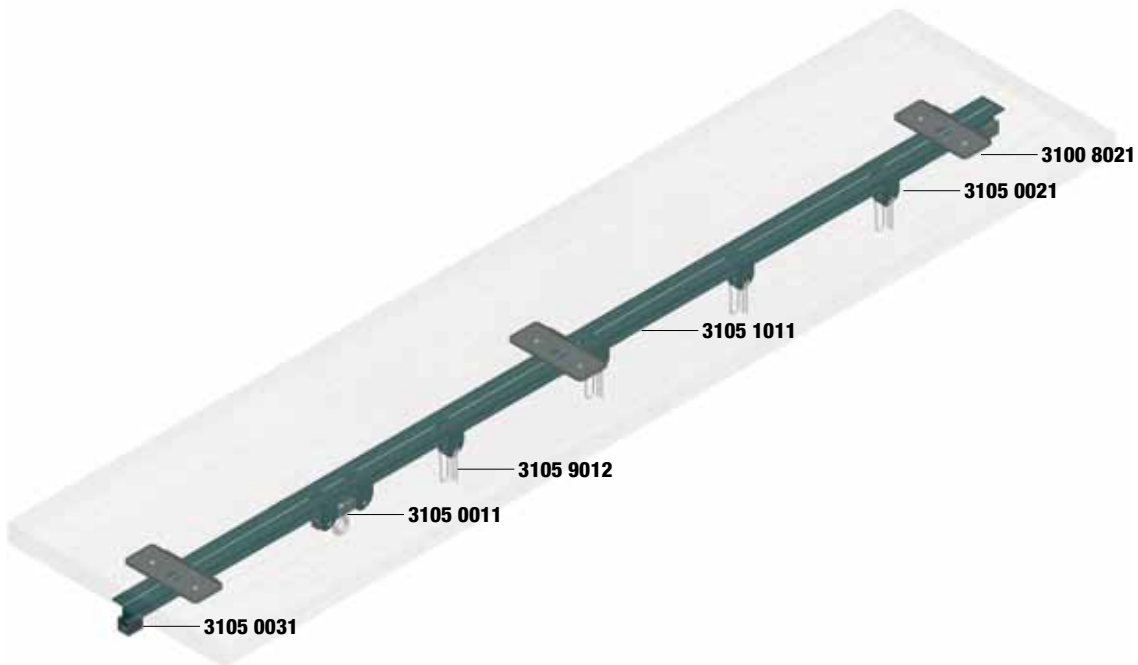
Art. - No.	Article	Page
3105 1011	Track, Straight, black anodized	15
3100 8021	Ceiling Mounting Plate, black	17
3105 0031	End Stop	16
3105 0011	Master Runner	16
3105 0021	2-Wheel Runner	16
3105 9012	Curtain Hook	17



End View

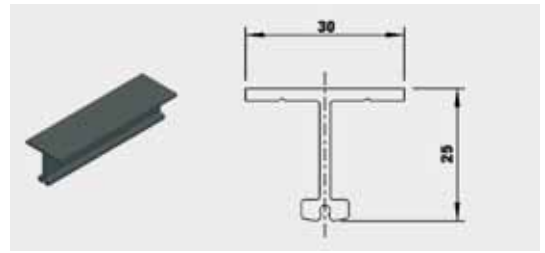


Side View

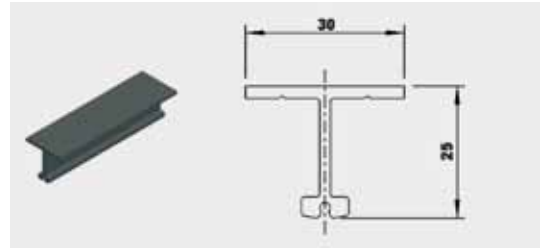


1.05 ASS: Walk Along Track

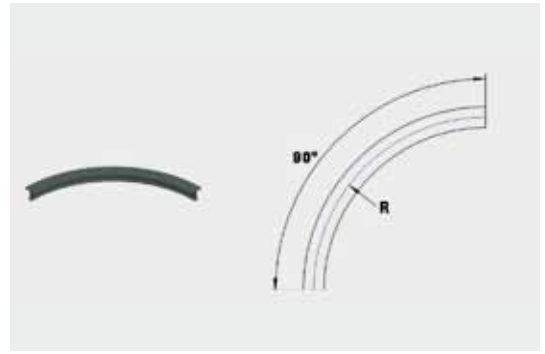
Art.- No.	Track, Straight <ul style="list-style-type: none"> Extruded Aluminum profile ALMgSi 0,5 F22. Steel pin connection. 	Length cm	Weight g/rm
3105 1011	Colour: black anodized	600	340
3105 1012	Colour: clear anodized	600	340
3105 1021	Cut length, colour: black anodized	up to 600	340
3105 1022	Cut length, colour: clear anodized	up to 600	340



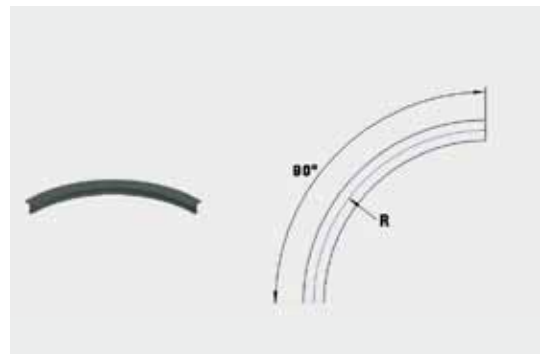
Art.- No.	Track, Straight, Predrilled <ul style="list-style-type: none"> Technical details: see track, straight. Predrilled holes in top of track in 20 cm increments. 	Length cm	Weight g/rm
3105 1013	Colour: black, anodized	600	340
3105 1014	Colour: clear anodized	600	340
3105 1023	Cut length, colour: black anodized	up to 600	340
3105 1024	Cut length, colour: clear anodized	up to 600	340



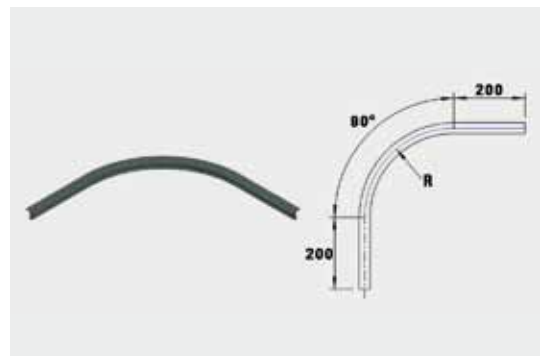
Art.- No.	Track, Curved - without Splice <ul style="list-style-type: none"> Technical details: see track, straight. 1/4 circle, 90° curve. 	Radius cm	Weight g
3105 1031	Colour: black anodized	25	134
3105 1032	Colour: clear anodized	25	134
3105 1051	Colour: black anodized	50	267
3105 1052	Colour: clear anodized	50	267
3105 1071	Colour: black anodized	100	534
3105 1072	Colour: clear anodized	100	534
3105 1091	Custom curve, colour: black anodized	-	-
3105 1092	Custom curve, colour: clear anodized	-	-



Art.- No.	Track, Curved - without Splice, Predrilled <ul style="list-style-type: none"> Predrilled holes in top track in 20 cm increments. 1/4 circle, 90° curve. 	Radius cm	Weight g
3105 1033	Colour: black anodized	25	134
3105 1034	Colour: clear anodized	25	134
3105 1053	Colour: black anodized	50	267
3105 1054	Colour: clear anodized	50	267
3105 1073	Colour: black anodized	100	534
3105 1074	Colour: clear anodized	100	534
3105 1093	Custom curve, Colour: black anodized	-	-
3105 1094	Custom curve, Colour: clear anodized	-	-



Art.- No.	Track, Curved - with Splice <ul style="list-style-type: none"> Technical details: see track, straight. 1/4 circle, 90° curve. 	Radius cm	Weight g
3105 1041	Colour: black anodized	25	270
3105 1042	Colour: clear anodized	25	270
3105 1061	Colour: black anodized	50	403
3105 1062	Colour: clear anodized	50	403
3105 1081	Colour: black anodized	100	670
3105 1082	Colour: clear anodized	100	670
3105 1101	Custom curve, colour: black anodized	-	-
3105 1102	Custom curve, colour: clear anodized	-	-

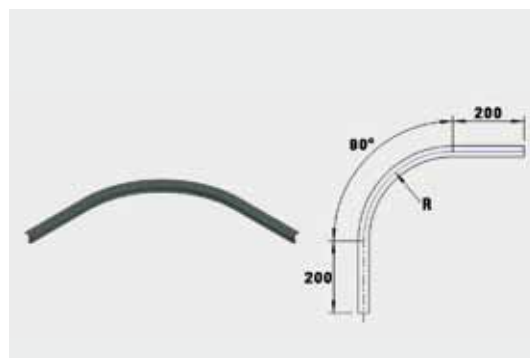


1 Track Systems

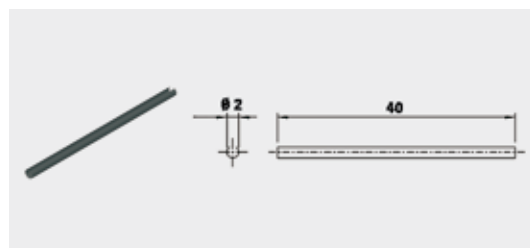
Technic 2009-10

1.05 ASS: Walk Along Track

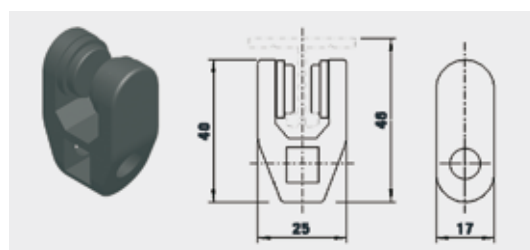
Art.- No.	Track, Straight, Curved - with Splice, Predrilled <ul style="list-style-type: none"> • Predrilled holes in top of track 20 cm on center. • 1/4 circle, 90° curve. 	Radius cm	Weight g
3105 1043	Colour: black anodized	25	270
3105 1044	Colour: clear anodized	25	270
3105 1063	Colour: black anodized	50	403
3105 1064	Colour: clear anodized	50	403
3105 1083	Colour: black anodized	100	670
3105 1084	Colour: clear anodized	100	670
3105 1103	Custom curve, colour: black anodized	-	-
3105 1104	Custom curve, colour: clear anodized	-	-



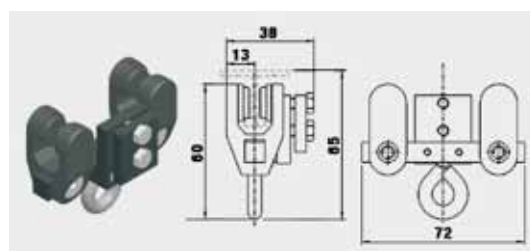
Art.- No.	Joint Pin, 10 per Pack <ul style="list-style-type: none"> • Steel pin Ø 2 mm. • For precise track connection. 	Weight g/piece
3105 9115	Colour: black	1



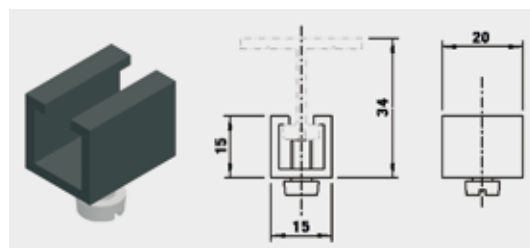
Art.- No.	2-Wheel Runner <ul style="list-style-type: none"> • For straight and curved track sections. • In use with curtain hook tape: approx. 1 runner every 15 -20 cm. 	Load Capacity kg	Weight g
3105 0021	Colour: black	2	10



Art.- No.	Master Runner <ul style="list-style-type: none"> • With 4 load bearing wheels. • With rope attachment bracket. 	Load Capacity kg	Weight g
3105 0011	Colour: black	4	160

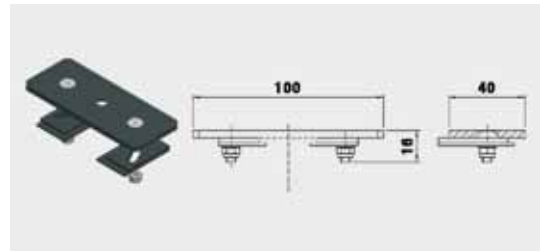


Art.- No.	End Stop <ul style="list-style-type: none"> • With screw. 	Weight g
3105 0031	Colour: black	10

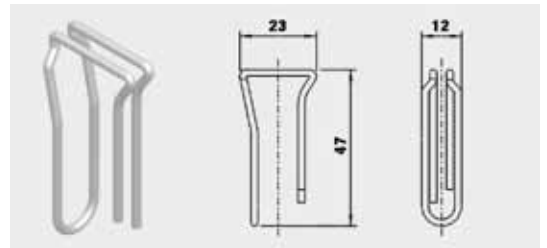


1.05 ASS: Walk Along Track

Art.- No.	Ceiling Mounting Plate			Weight g
	<ul style="list-style-type: none"> • For ceiling/surface mounting. • Adjustment area: +/- 4 mm. • With hole to accept 6 mm screw. 			
3100 8021	Colour: black			185
3100 8022	Colour: silver			185



Art.- No.	Curtain Hook			Weight g
	<ul style="list-style-type: none"> • V4A steel. • Corrosion resistant. 			
3105 9012	Colour: silver			5



Art.- No.	Curtain Hook Tape		Length per Role m	Height mm
	<ul style="list-style-type: none"> • With two 2 pull lines. • Suitable for 100% fullness, other fullness possible. • Sold in complete roles only. 			
4104 0151	Colour: white		50	50
4104 0152	Colour: black		50	50



1.05 ASS

Side Cord Operation

Important

Gerriets ASS track is a side rope operated system.

Please note:

- Only for straight, single track configurations up to 12 m.

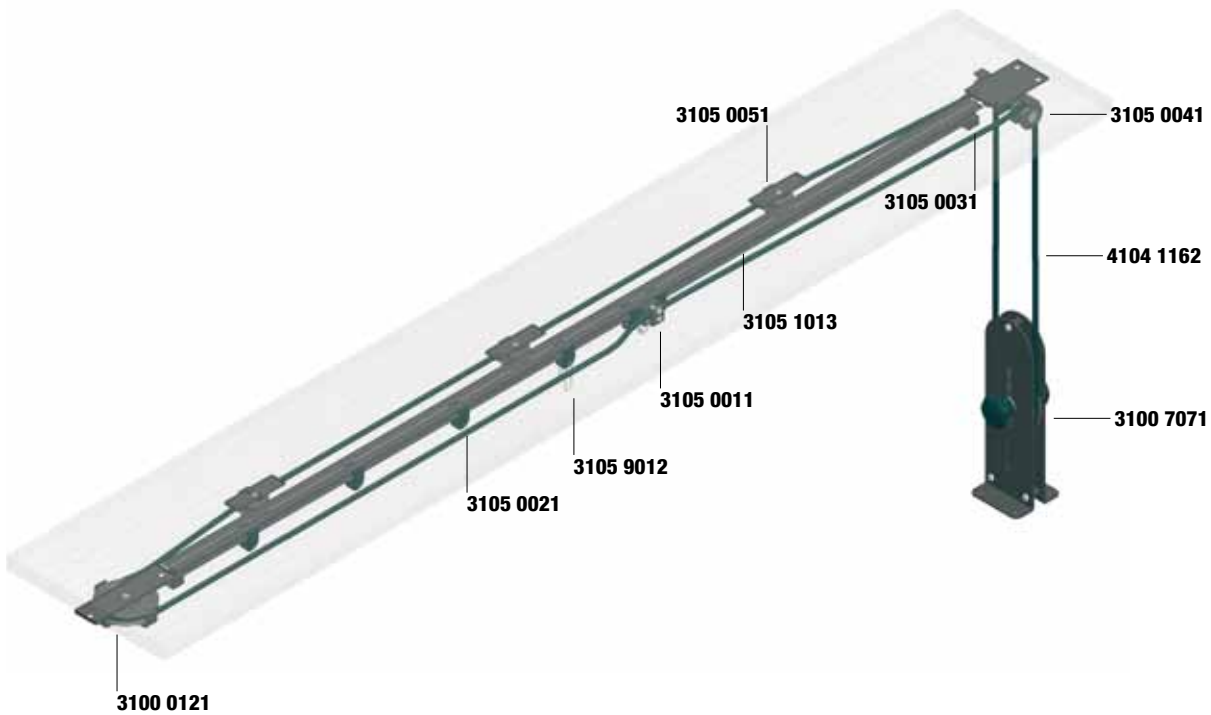
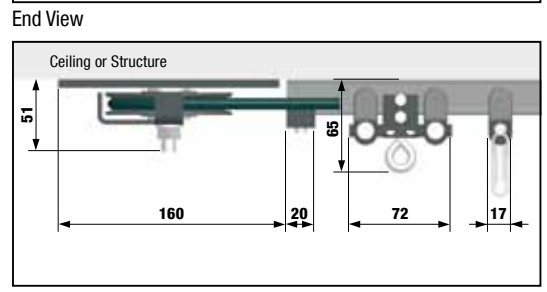
Mounting Considerations

For design and installation, please note height measurements.

Please calculate length of head and return pulleys for stacking space.

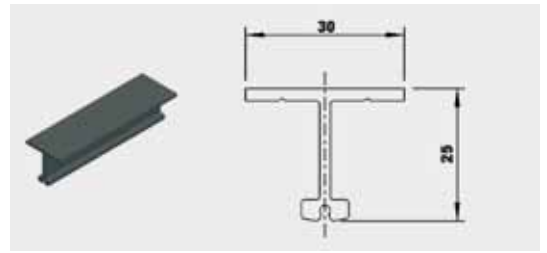
List of Parts for Sample System Below

Art.-Nr.	Article	Page
3105 1013	Track, Straight, Predrilled, black anodized	19
3105 0041	Head Pulley	20
3100 0121	Return Pulley	20
3105 0051	Rope Guide pulley	20
3105 0031	End Stop	19
3105 0011	Master Runner	19
3105 0021	2-Wheel Runner	19
4104 1162	Polyester Rope Ø 6 mm	21
3100 7071	Adjustable Floor Pulley 180	21
3105 9012	Curtain hook	22

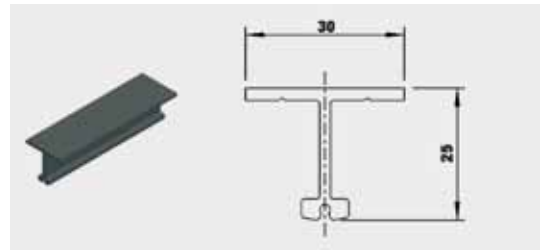


1.05 ASS: Side Cord Operation

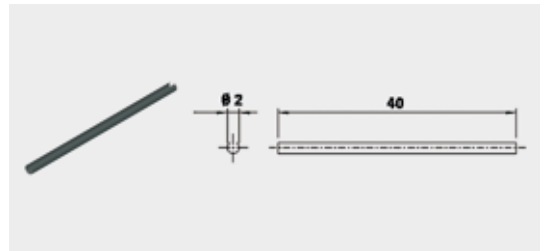
Art.- No.	Track, Straight • Extruded Aluminum profile ALMgSi 0,5 F22. • Joint pin connection.	Length cm	Weight g/rm
3105 1011	Colour: black anodized	600	340
3105 1012	Colour: clear anodized	600	340
3105 1021	Cut length, colour: black anodized	up to 600	340
3105 1022	Cut length, colour: clear anodized	up to 600	340



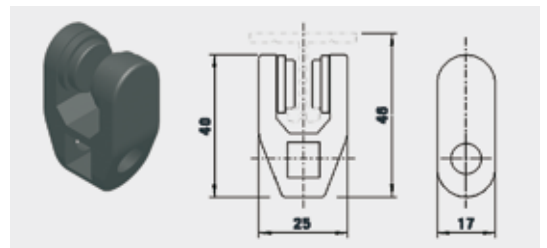
Art.- No.	Track, Straight, Predrilled • Technical details: see track, straight. • Predrilled holes in top of track in 20 cm increments.	Length cm	Weight g/rm
3105 1013	Colour: black anodized	600	340
3105 1014	Colour: clear anodized	600	340
3105 1023	Cut length, colour: black anodized	up to 600	340
3105 1024	Cut length, colour: clear eloxiert	up to 600	340



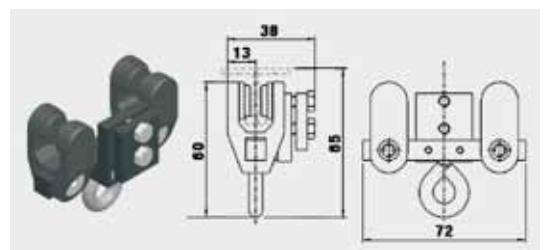
Art.- No.	Joint Pin, 10 Pieces per Pack • Steel pin \varnothing 2 mm. • For precise track connection.	Weight g/piece
3105 9115	Colour: black	1



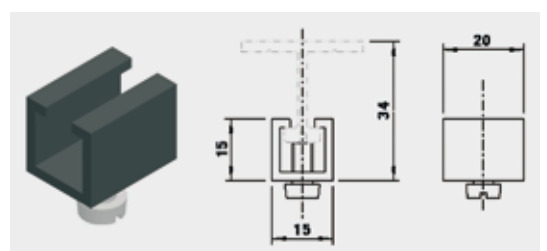
Art.- No.	2-Wheel Runner • For straight and curved track sections. • In use with curtain hook tape: 1 runner every 15 - 20 cm.	Load Capacity kg	Weight g
3105 0021	Colour: black	2	10



Art.- No.	Carrier • With 4 load bearing wheels. • With rope attachment bracket.	Load Capacity kg	Weight g
3105 0011	Colour: black	4	160



Art.- No.	End stop • With screw.	Weight g
3105 0031	Colour: black	10

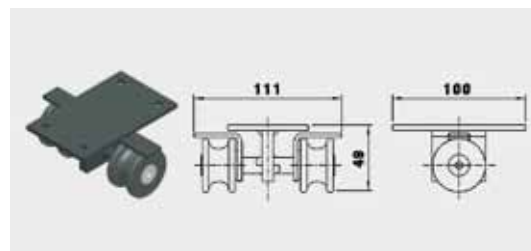


1 Track Systems

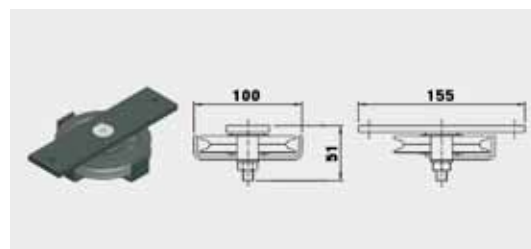
Technic 2009-10

1.05 ASS: Side Cord Operation

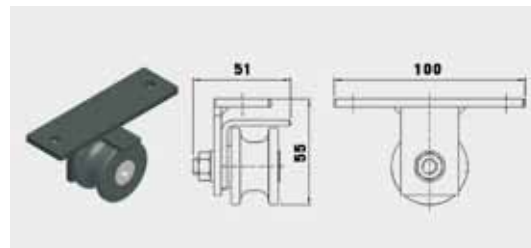
Art.- No.	Head Pulley	Pulley Diameter mm	Weight g
	<ul style="list-style-type: none"> • Diverts operating rope to floor. • For single and double track systems. • Ball bearing. • For rope up to \varnothing 8 mm. 		
3105 0041	Colour: black	25	445



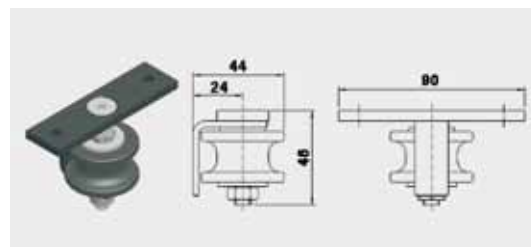
Art.- No.	Single Return Pulley	Pulley Diameter mm	Weight g
	<ul style="list-style-type: none"> • Returns operating rope at the end of the track. • Ball bearing. • For rope up to \varnothing 8 mm. 		
3100 0121	Colour: black	70	530



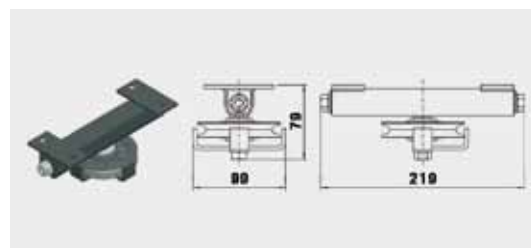
Art.- No.	Rope Guide Pulley	Pulley Diameter mm	Weight g
	<ul style="list-style-type: none"> • No sag of the returning rope. • Ball bearing. • For rope up to \varnothing 8. 		
3105 0051	Colour: black	25	190



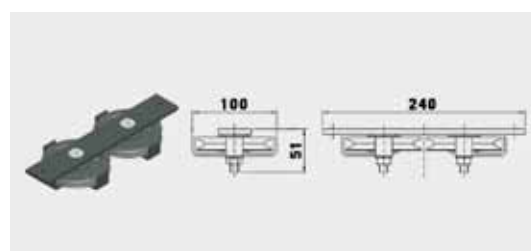
Art.- No.	Rope Guide Pulley	Pulley Diameter mm	Weight g
	<ul style="list-style-type: none"> • Guides returning rope. • Ball bearing. • For rope up to \varnothing 8 mm. 		
3100 0141	Colour: black	25	165



Art.- No.	Tensioned Return Pulley	Pulley Diameter mm	Weight g
	<ul style="list-style-type: none"> • Adjustable rope tensioning. • Can replace return pulley. • Tension distance: 150 mm. • Ball bearing. 		
3100 0111	Colour: black	70	975

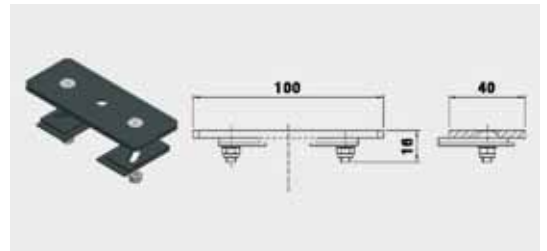


Art.- No.	Cross-Over Pulley	Pulley Diameter mm	Weight g
	<ul style="list-style-type: none"> • Ball bearing. • For rope up to \varnothing 8 mm. 		
3100 0131	Colour: black	70	935



1.05 ASS: Side Cord Operation

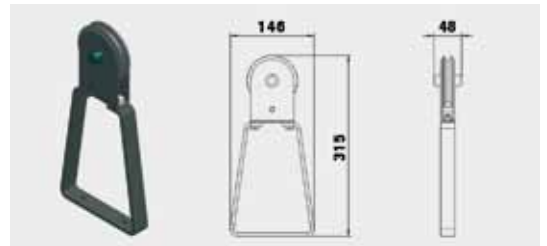
Art.- No.	Ceiling Mounting Plate			Weight g
	<ul style="list-style-type: none"> • For direct ceiling/surface mounting. • Adjustment area +/- 4 mm. • With holes to accept 6 mm screw. 			
3100 8021	Colour: black			185
3100 8022	Colour: silver			185



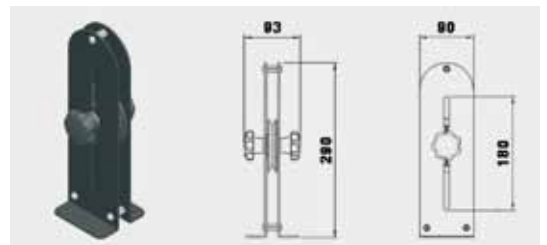
Art.- No.	Polyester Rope			
	<ul style="list-style-type: none"> • Ø 6 mm. • Tensile strength: approx. 575 daN. • Max. length: 200 m. • Non-stretch (ca. 4%). 			
4104 1162	Colour: black			



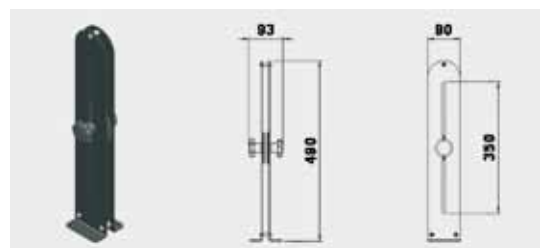
Art.- No.	Stirrup Floor Pulley			Weight g
	<ul style="list-style-type: none"> • With foot stirrup and Ø 10 mm hole for screwing on the floor. • Rope tensioning by foot pressure. • For rope up to Ø 8 mm. 			
3100 7061	Colour: black			1.205



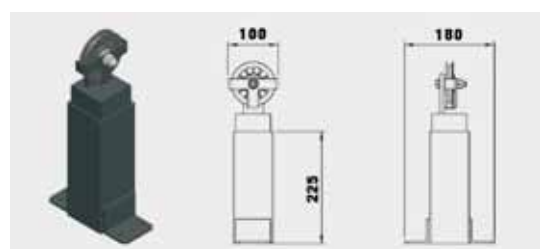
Art.- No.	Adjustable Floor Pulley 180		Tension Distance mm	Weight g
	<ul style="list-style-type: none"> • With Ø 10 mm hole for screwing on the floor. • Cord tensioning by adjustable pulley. • For rope up to Ø 8 mm. 			
3100 7071	Colour: black		180	1.395



Art.- No.	Adjustable Floor Pulley 350		Tension Distance mm	Weight g
	<ul style="list-style-type: none"> • With Ø 10 mm hole for screwing on the floor. • Cord tensioning by adjustable pulley. • For rope up to Ø 8 mm. 			
3100 7081	Colour: black		350	3.600



Art.- No.	Self Tensioning Floor Pulley			Weight g
	<ul style="list-style-type: none"> • With Ø 10 mm hole for screwing on the floor. • With metal block. • For mobile stage applications. • For rope up to Ø 8 mm. 			
3100 7011	Colour: black			12.445

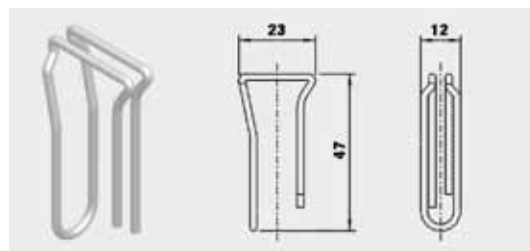


1 Track Systems

Technic 2009-10

1.05 ASS: Side Cord Operation

Art.- No.	Curtain Hook			Weight
	<ul style="list-style-type: none"> • V4A steel. • Corrosion resistant. 			g
3105 9012	Colour: silver			5



Art.- No.	Curtain Hook Tape		Length per Role m	Height mm
	<ul style="list-style-type: none"> • With holes for curtain hooks. • With 2 pull lines. • For up to 100% fullness. • Sold in complete roles only. 			
4104 0151	Colour: white		50	50
4104 0152	Colour: black		50	50



Gerriets GmbH
 Im Kirchenhürstle 5-7
 D-79224 Umkirch
 ☎ +49 7665 960-0
 ☎ +49 7665 960-125
 info@gerriets.com

Gerriets S. A. R. L.
 Rue du Pourquoi Pas
 F-68600 Volgelsheim
 ☎ +33 3 89 22 70 22
 ☎ +33 3 89 22 70 50
 gerriets@gerriets.com

Gerriets International Inc.
 130 Winterwood Avenue
 Ewing NJ 08638, USA
 ☎ +1 609 758-9121
 ☎ +1 609 758-9596
 mail@gi-info.com

Gerriets Great Britain Ltd.
 18 Verney Road
 London SE16 3DH, UK
 ☎ +44 20 7639 7704
 ☎ +44 20 7732 5760
 general@gerriets.co.uk

Gerriets Handel GmbH
 Gorskistraße 8
 A-1230 Wien
 ☎ +43 1 6000 600-0
 ☎ +43 1 6032 585
 verkauf@gerriets.at

Gerriets España S. L.
 Pol. Ind. Arroyo Buzanca
 Avda. de Las Moreras
 Sector S-19 B, Naves 1-2-3
 E-28350 Ciempozuelos, Madrid
 ☎ +34 91 134 5022
 ☎ +34 91 134 5084
 gerriets.spain@gmail.com

Gerriets Italia
 Risam for show
 Viale Spagna 150 / B
 I-20093 Cologno Monzese (MI)
 ☎ +39 02 2532 113
 ☎ +39 02 2532 130
 info@risamforshow.com

Gerriets Belgique
 Distribué par :
 Gerriets S. A. R. L.
 Rue du Pourquoi Pas
 F-68600 Volgelsheim
 ☎ +33 3 89 22 70 22
 ☎ +33 3 89 22 70 50
 gerriets@gerriets.com

Gerriets Nederland
 Anthony Fokkerweg 3
 NL-1059 CM Amsterdam
 ☎ +31 20-40 82 553
 ☎ +31 20-40 82 662
 info@gerriets.nl

Gerriets Greece
 info@gerriets.gr
 www.gerriets.gr

Gerriets Turkey
 Benart Ses Isik-ASC Is Merkezi
 Mahmut Sevket Pasa Mahallesi
 Piyale Pasa Bulvari
 Baran Sk No: 4 Kat: 3 Zemin Kat
 TR-34384 Okmeydani-Sisli-Istanbul
 ☎ +90 212 254 33 43
 ☎ +90 212 254 33 53
 benart@benart.net

Gerriets Korea
 4F 449-4 Seongnae-dong
 Gangdong-gu, Seoul
 Korea 134-030
 ☎ +82 2 477 7713
 ☎ +82 2 477 1490
 info@gerriets.co.kr

www.gerriets.com

